

MOSFETs Silicon 40V N-Channel MOS
■ Applications

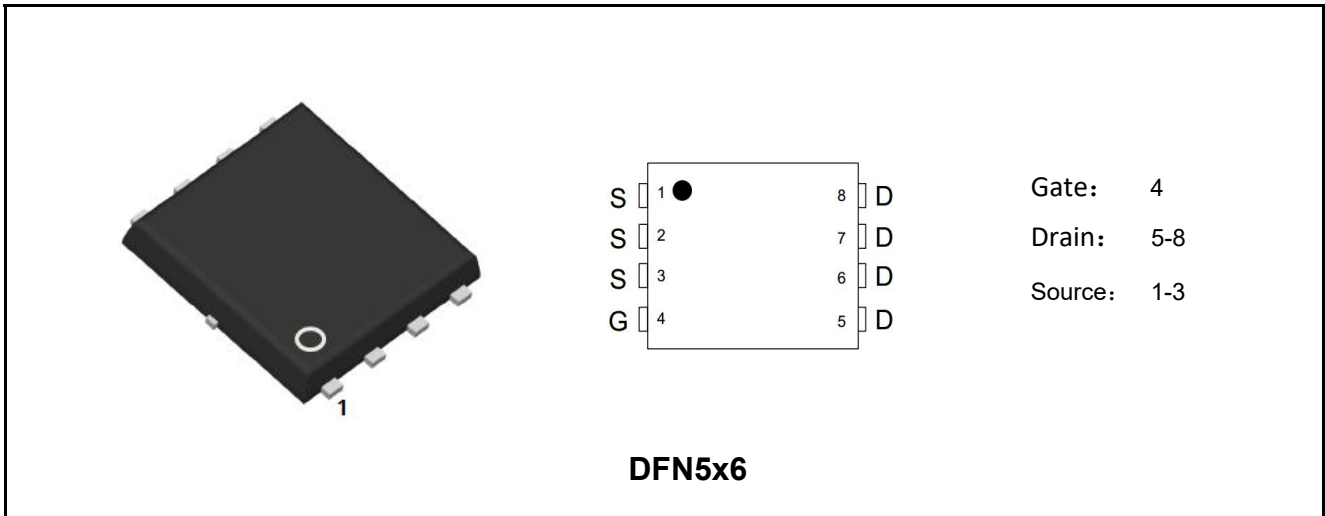
- Synchronous Rectification
- Industrial and Motor Drive
- DC/DC and AC/DC Converters

■ Features

- High-Speed Switching
- Low $R_{DS(ON)}$
- Low Gate Charge
- Capable of 4.5 V Gate Drive
- RoHS and Halogen-Free Compliant
- 100% UIS and RG Tested

■ Product Summary

V_{DS}	40	V
I_D	280	A
$R_{DS(ON), Typ@10V}$	0.8	m Ω
$R_{DS(ON), Typ@4.5V}$	1.2	m Ω
Q_g	115	nC



Marking	Package	Packaging	Min. package quantity
MDG0D9R040SL	DFN5x6	Tape & Reel	5000



■ Absolute Maximum Ratings (Tc=25°C unless otherwise noted)

Parameter	Symbol	Ratings	Unit
Drain-Source Voltage	V_{DS}	40	V
Gate-Source Voltage	V_{GS}	±20	V
Continuous Drain Current Tc=25°C (Note 1)	I_D	280	A
Continuous Drain Current Tc=100°C (Note 1)		170	A
Drain Current-Pulsed (Note 1)	I_{DM}	1000	A
Total Dissipation	P_D	120	W
Junction Temperature	T_j	150	°C
Storage Temperature	T_{stg}	-55-150	°C
Single Pulse Avalanche Energy (Note 2)	E_{AS}	180	mJ

Note: Using continuously under heavy loads (e.g. the application of high temperature/current/voltage and the significant change in temperature, etc.) may cause this product to decrease in the reliability significantly even if the operating conditions (i.e. operating temperature/current/voltage, etc.) are within the absolute maximum ratings.

■ Thermal Characteristics

Parameter	Symbol	Max	Unit
Maximum Junction-to-Case	$R_{\theta JC}$	1.05	°C/W
Maximum Junction-to-Ambient (Note 3)	$R_{\theta JA}$	60	°C/W

Note 1: Ensure that the channel temperature does not exceed 150°C.

Note 2: $V_{DD}=50V$, $T_{ch}=25^\circ C$ (initial), $L=0.1mH$, $R_g=25\Omega$.

Note 3: The value of $R_{\theta JA}$ is measured with the device mounted on 1in2 FR-4 board with 2oz. Copper, in a still air environment with $T_A=25^\circ C$. The value in any given application depends on the user's specific board design.

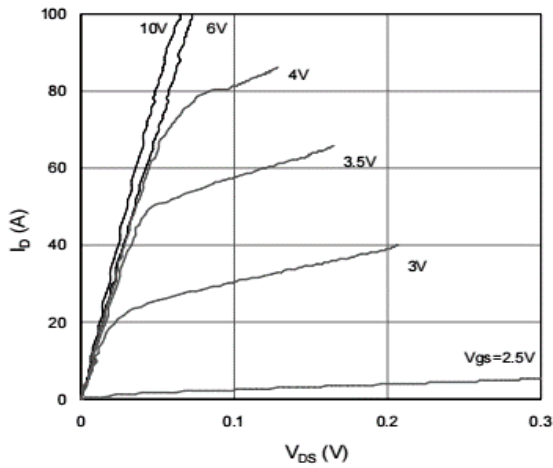
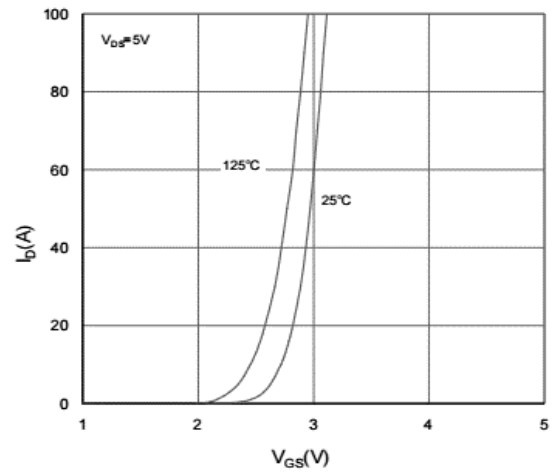
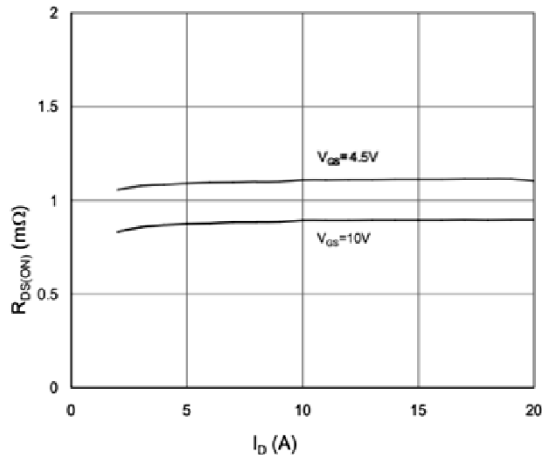
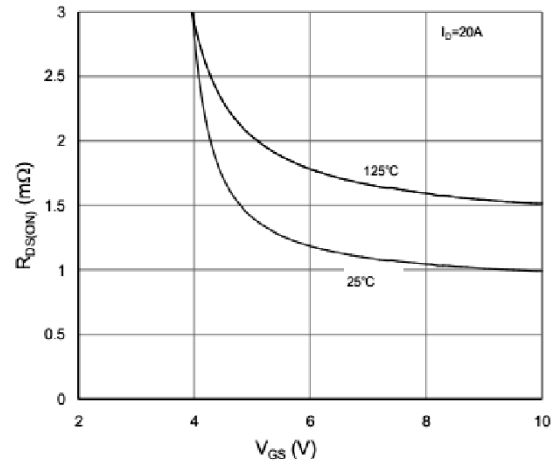
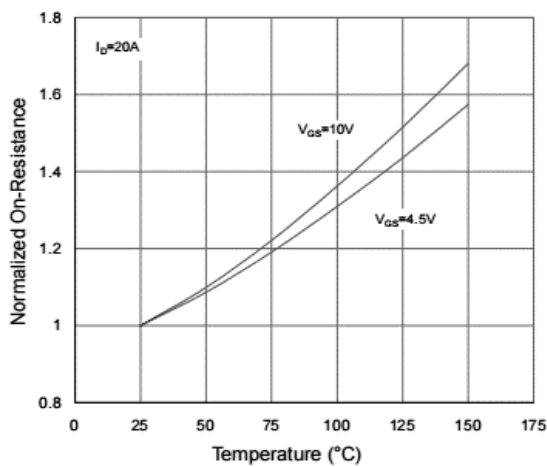
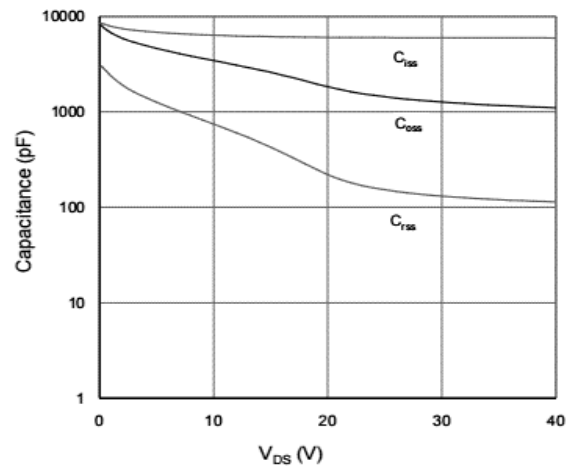
Note: This transistor is sensitive to electrostatic discharge and should be handled with care.

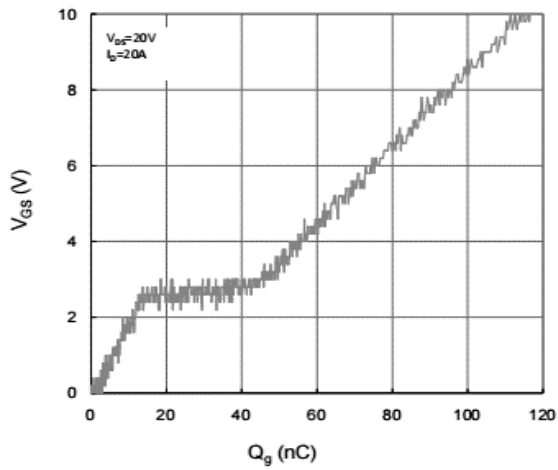
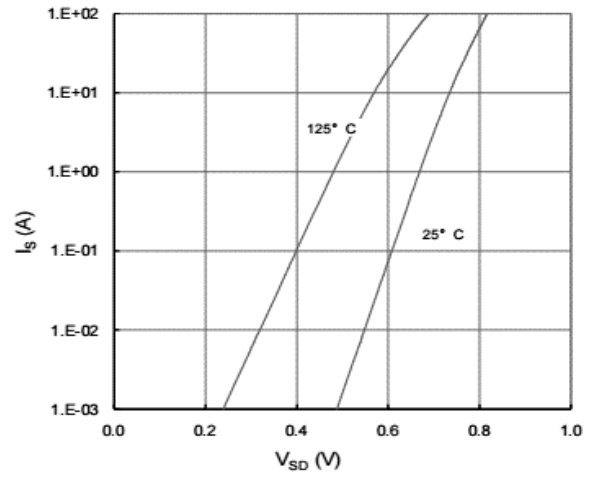
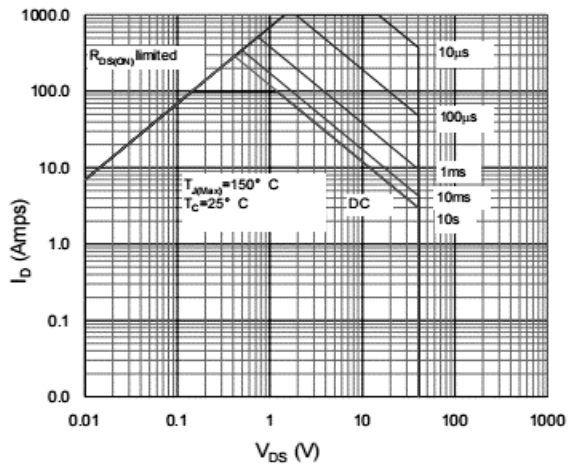


■ Electrical Characteristics (Tc=25°C unless otherwise noted)

Parameter	Symbol	Test Condition	Min	Typ	Max	Unit
Static Parameters						
Drain-Source Breakdown Voltage	BV_{DSS}	$V_{GS}=0V, I_D=250\mu A$	40	-	-	V
Drain-Source Leakage Current	I_{DSS}	$V_{DS}=40V, V_{GS}=0V$	-	-	1	μA
Gate-Body Leakage Current	I_{GSS}	$V_{GS}=\pm 20V, V_{DS}=0V$	-	-	± 100	nA
Gate Threshold Voltage	$V_{GS(TH)}$	$V_{GS}=V_{DS}, I_D=250\mu A$	1.3	1.8	2.3	V
Drain-Source On Resistance	$R_{DS(ON)}$	$V_{GS}=4.5V, I_D=15A$	-	1.2	1.4	m Ω
		Tj=125°C	-	1.75	-	
		$V_{GS}=10V, I_D=20A$	-	0.8	0.9	
		Tj=125°C	-	1.2	-	
Dynamic Characteristics						
Input Capacitance	C_{iss}	$V_{DS}=20V, V_{GS}=0V,$ $f=1.0MHz$	-	6050	-	pF
Output Capacitance	C_{oss}		-	1850	-	pF
Reverse Transfer Capacitance	C_{rss}		-	220	-	pF
Gate Resistance	R_g	$V_{DS}=0V, V_{GS}=0V,$ $f=1.0MHz$	-	0.85	-	Ω
Switching Paramters						
Turn-On Delay Time	$t_{d(on)}$	$V_{DS}=20V, I_D=20A,$ $V_{GS}=10V, R_G=10\Omega$	-	18	-	ns
Turn-On Rise Time	t_r		-	16	-	ns
Turn-Off Delay Time	$t_{d(off)}$		-	45	-	ns
Turn-Off Fall Time	t_f		-	11	-	ns
Total Gate Charge	Q_g	$V_{DS}=20V, I_D=20A,$ $V_{GS}=10V$	-	115	-	nC
	$Q_g (4.5V)$		-	60	-	nC
Gate-Source Charge	Q_{gs}		-	13	-	nC
Gate-Drain Charge	Q_{gd}		-	29	-	nC
Source-Drain Characteristics						
Diode Forward Voltage	V_{sd}	$V_{GS}=0V, I_S=10A$	-	0.74	1.2	V
Reverse Recovery Time	t_{rr}	$V_R=20V, I_F=20A,$ $di/dt=100A/\mu s$	-	57	-	ns
Reverse Recovery Charge	Q_{rr}		-	65	-	nC

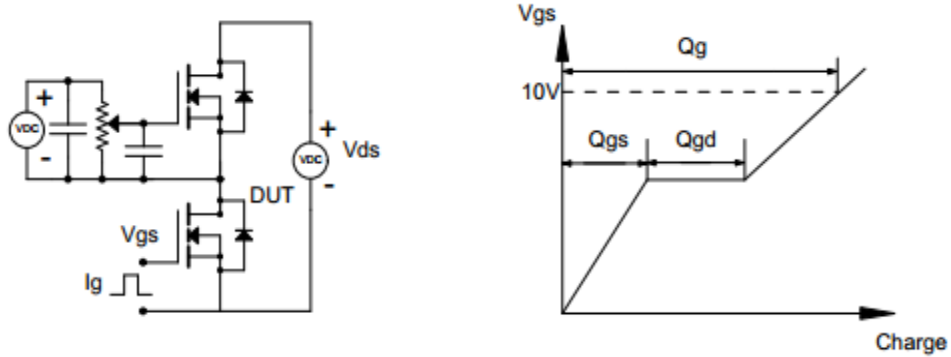
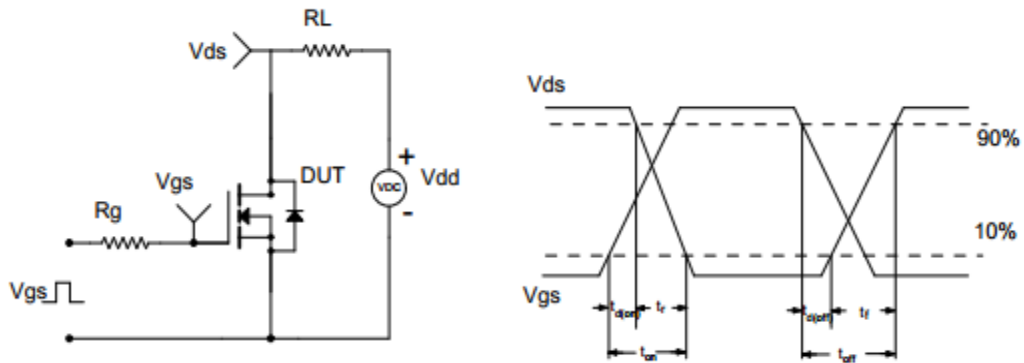
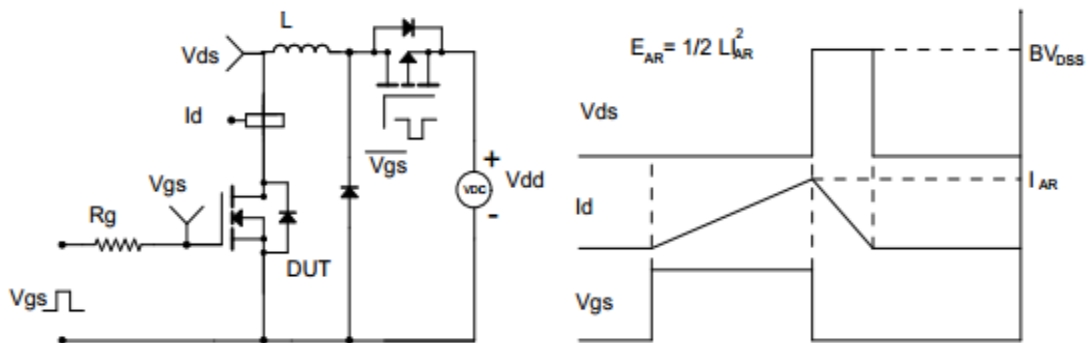


■ Characteristics Curves

Output Characteristics

Transfer Characteristics

On Resistance Vs Drain Current

On Resistance Vs Gate Source Voltage

Rdson-Junction Temperature

Capacitance



Gate Charge Waveform

Source-Drain Diode Forward Voltage

Maximum Safe Operating Area

Note : The above characteristics curves are presented for reference only and not guaranteed by production test, unless otherwise noted.



■ Test Circuit & Waveform
Gate Charge Test Circuit & Waveform

Resistive Switching Test Circuit & Waveform

Unclamped Inductive Switching (UIS) Test Circuit & Waveform


■ DFN5x6 Package Dimensions

Unit: mm

Symbol	Min	Nom	Max	Symbol	Min	Nom	Max
A	0.90		1.10	k	1.15		1.35
A3	0.15		0.30	b	0.20		0.40
D	4.90		5.10	e	1.15		1.35
D1	3.90		4.10	L	0.50		0.65
D2	4.75		5.05	L1	0.43		0.55
E	5.85		6.15	H	0.55		0.68
E1	3.35		3.55	θ	8°		12°
E2	5.55		5.85				

