



MOSFETs Silicon 30V N-Channel MOS

Applications

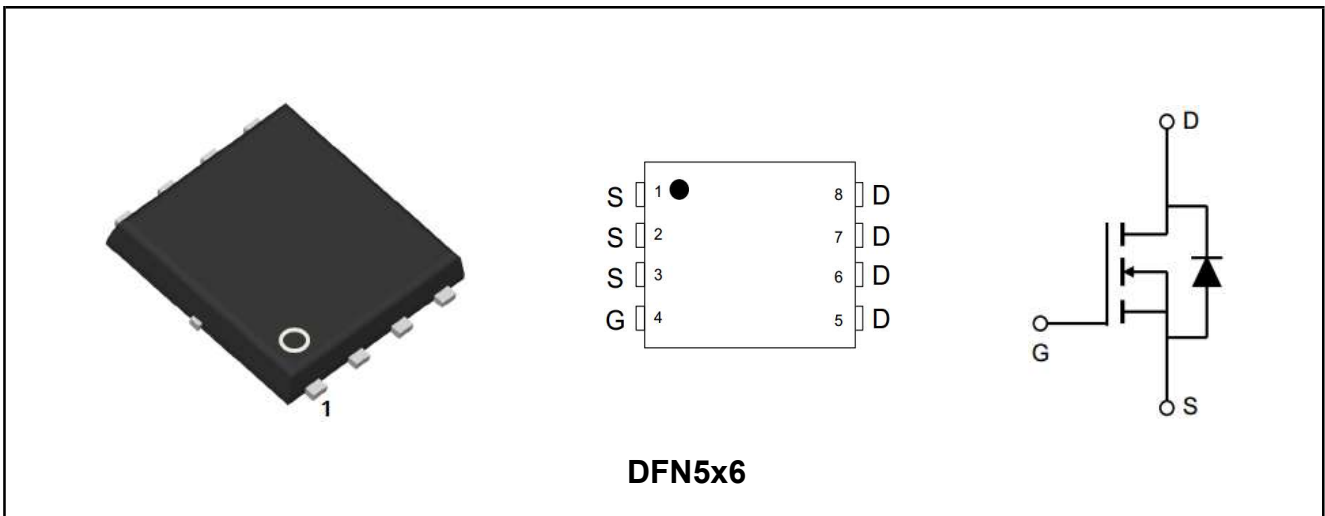
- Synchronous Rectification
- Industrial and Motor Drive
- DC/DC Converters
- Power Tools

Features

- High-Speed Switching
- Low  $R_{DS(ON)}$
- Enhanced Body diode dv/dt capability
- Enhanced Avalanche Ruggedness
- Lead and Halogen-Free Compliant
- 100% UIS and RG Tested

Product Summary

$V_{DS}$	30	V
$I_D$	340	A
$R_{DS(ON),Typ@10V}$	0.55	m $\Omega$
$R_{DS(ON),Typ@4.5V}$	0.85	m $\Omega$
$Q_g$	115	nC



DFN5x6

Marking	Package	Packaging	Min. package quantity
MDG0D7R030SL	DFN5X6	Tape & Reel	5000





### ■ Absolute Maximum Ratings (Tc=25°C unless otherwise noted)

Parameter	Symbol	Ratings	Unit
Drain-Source Voltage	$V_{DS}$	30	V
Gate-Source Voltage	$V_{GS}$	±20	V
Continuous Drain Current Tc=25°C (Note 1)	$I_D$	340	A
Continuous Drain Current Tc=100°C (Note 1)		215	A
Drain Current-Pulsed (Note 1)	$I_{DM}$	1000	A
Total Dissipation	$P_D$	120	W
Junction Temperature	$T_j$	150	°C
Storage Temperature	$T_{stg}$	-55-150	°C
Single Pulse Avalanche Energy (Note 2)	$E_{AS}$	180	mJ

Note: Using continuously under heavy loads (e.g. the application of high temperature/current/voltage and the significant change in temperature, etc.) may cause this product to decrease in the reliability significantly even if the operating conditions (i.e. operating temperature/current/voltage, etc.) are within the absolute maximum ratings.

### ■ Thermal Characteristics

Parameter	Symbol	Max	Unit
Maximum Junction-to-Case	$R_{\theta JC}$	1.05	°C/W
Maximum Junction-to-Ambient (Note 3)	$R_{\theta JA}$	60	°C/W

Note 1: Ensure that the channel temperature does not exceed 150°C.

Note 2:  $V_{DD}=30V$ ,  $T_{ch}=25^\circ C$  (initial),  $L=0.1mH$ ,  $R_g=25\Omega$ .

Note 3: The value of  $R_{\theta JA}$  is measured with the device mounted on 1in2 FR-4 board with 2oz. Copper, in a still air environment with  $T_A=25^\circ C$ . The value in any given application depends on the user's specific board design.

Note: This transistor is sensitive to electrostatic discharge and should be handled with care.



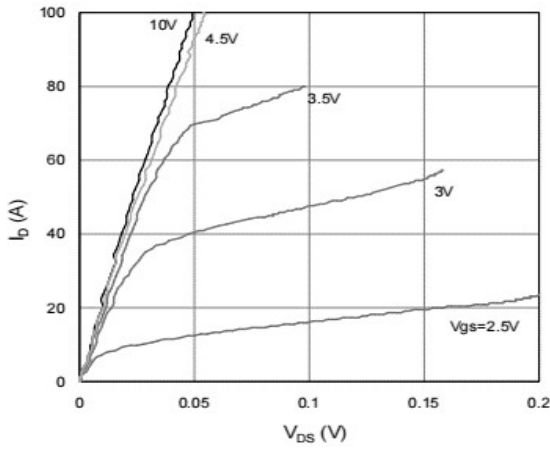
**■ Electrical Characteristics (Tc=25°C unless otherwise noted)**

Parameter	Symbol	Test Condition	Min	Typ	Max	Unit
<b>Static Parameters</b>						
Drain-Source Breakdown Voltage	$BV_{DSS}$	$V_{GS}=0V, I_D=250\mu A$	30	-	-	V
Drain-Source Leakage Current	$I_{DSS}$	$V_{DS}=30V, V_{GS}=0V$	-	-	1	$\mu A$
Gate-Body Leakage Current	$I_{GSS}$	$V_{GS}=\pm 20V, V_{DS}=0V$	-	-	$\pm 100$	nA
Gate Threshold Voltage	$V_{GS(TH)}$	$V_{GS}=V_{DS}, I_D=250\mu A$	1	1.6	2.4	V
Drain-Source On Resistance	$R_{DS(ON)}$	$V_{GS}=4.5V, I_D=15A$	-	0.85	1.1	m $\Omega$
		$T_j=125^\circ C$	-	1.2	-	
		$V_{GS}=10V, I_D=20A$	-	0.55	0.7	
		$T_j=125^\circ C$	-	0.8	-	
<b>Dynamic Characteristics</b>						
Input Capacitance	$C_{iss}$	$V_{DS}=15V, V_{GS}=0V,$ $f=1.0MHz$	-	6260	-	pF
Output Capacitance	$C_{oss}$		-	3000	-	pF
Reverse Transfer Capacitance	$C_{rss}$		-	450	-	pF
Gate Resistance	$R_g$	$V_{DS}=0V, V_{GS}=0V,$ $f=1.0MHz$	-	0.95	-	$\Omega$
<b>Switching Paramters</b>						
Turn-On Delay Time	$t_{d(on)}$	$V_{DS}=15V, I_D=20A,$ $V_{GS}=10V, R_G=3\Omega$	-	18	-	ns
Turn-On Rise Time	$t_r$		-	15	-	ns
Turn-Off Delay Time	$t_{d(off)}$		-	46	-	ns
Turn-Off Rise Time	$t_f$		-	11	-	ns
Total Gate Charge	$Q_g$	$V_{DS}=15V, I_D=20A,$ $V_{GS}=10V$	-	115	-	nC
Gate-Source Charge	$Q_{gs}$		-	11	-	nC
Gate-Drain Charge	$Q_{gd}$		-	25	-	nC
<b>Source-Drain Characteristics</b>						
Diode Forward Voltage	$V_{sd}$	$V_{GS}=0V, I_S=20A$	-	0.8	1.2	V
Reverse Recovery Time	$t_{rr}$	$V_R=15V, I_F=20A,$ $di/dt=100A/\mu s$	-	62	-	ns
Reverse Recovery Charge	$Q_{rr}$		-	68	-	nC

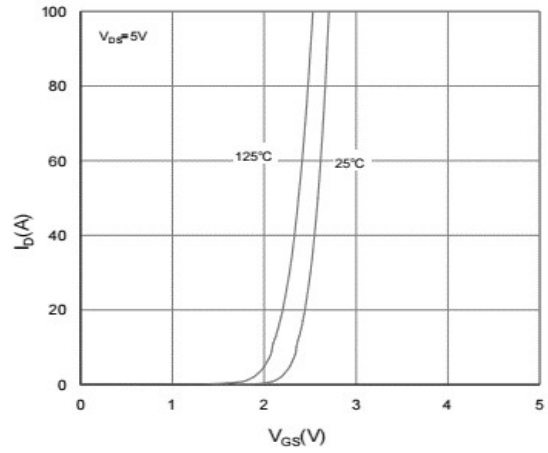




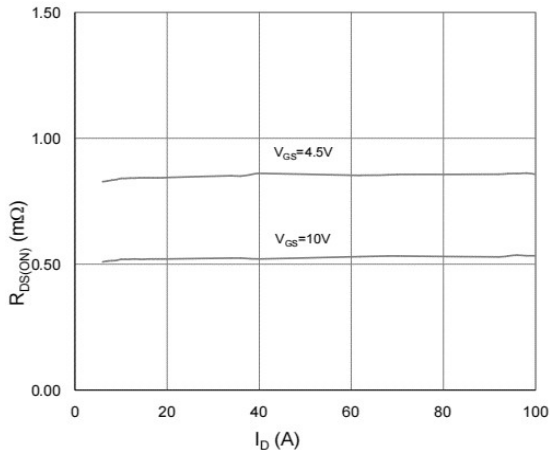
■ Characteristics Curves



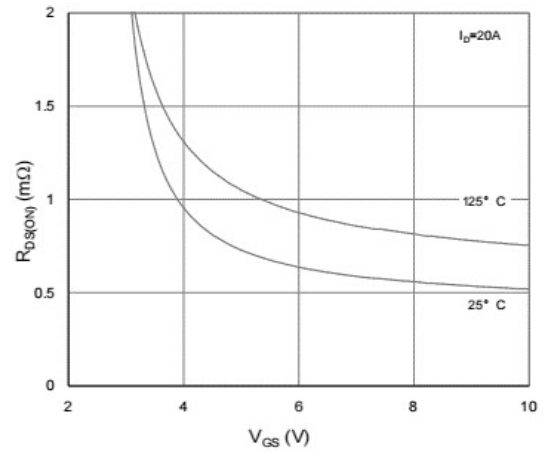
Output Characteristics



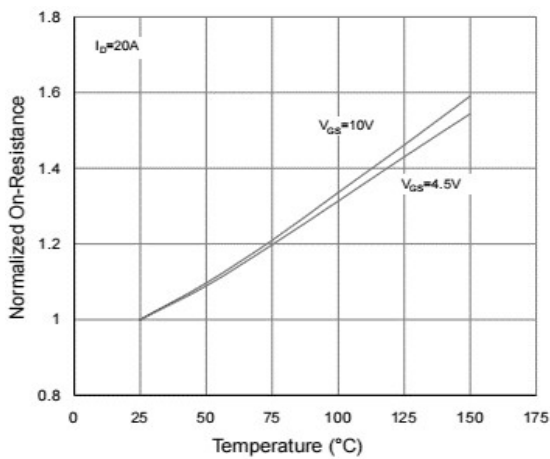
Transfer Characteristics



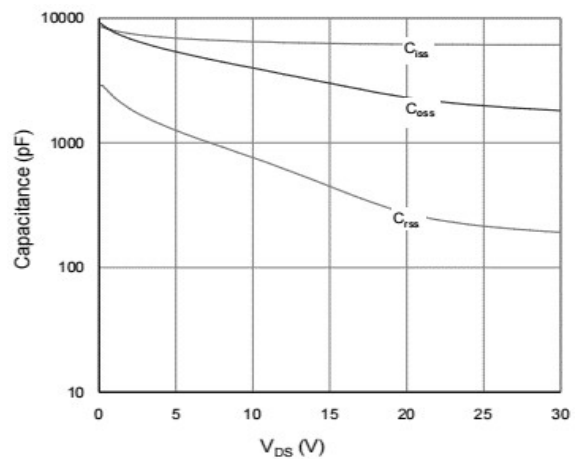
On Resistance Vs Drain Current



On Resistance Vs Gate Source Voltage

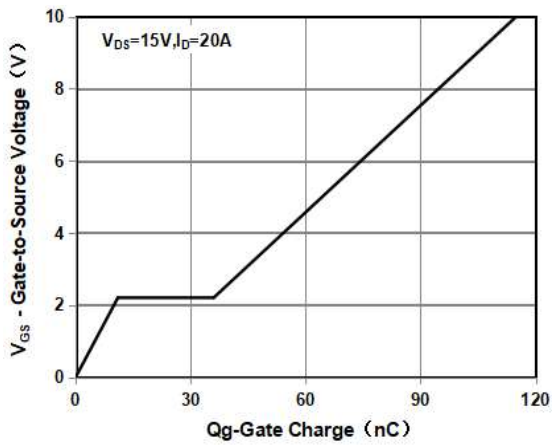


Rdson-Junction Temperature

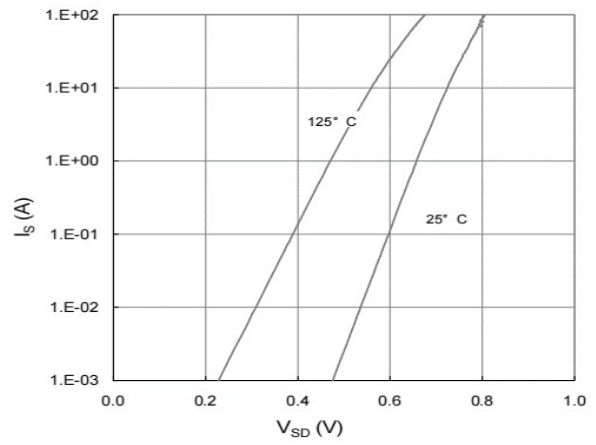


Capacitance

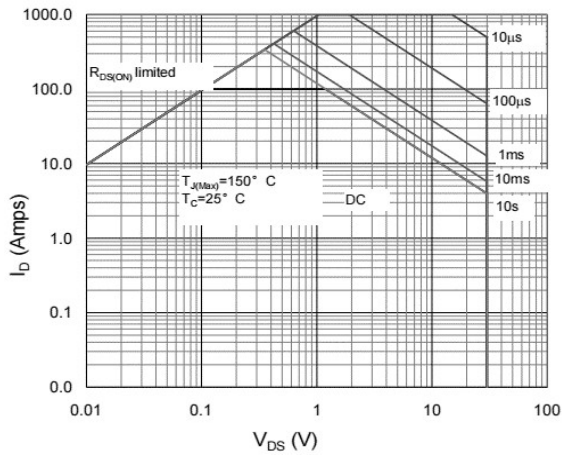




Gate Charge Waveform



Source-Drain Diode Forward Voltage



Maximum Safe Operating Area

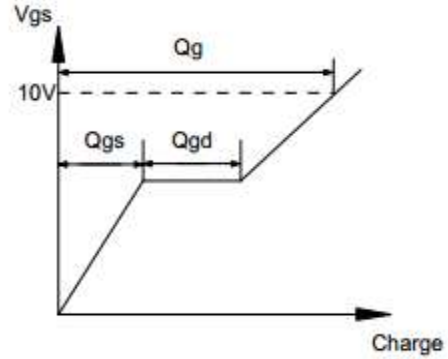
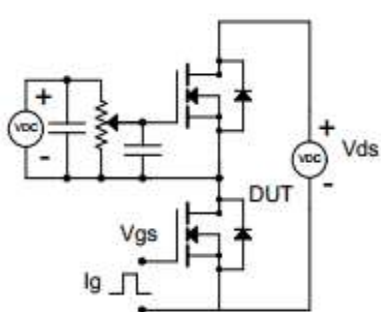
Note : The above characteristics curves are presented for reference only and not guaranteed by production test, unless otherwise noted.



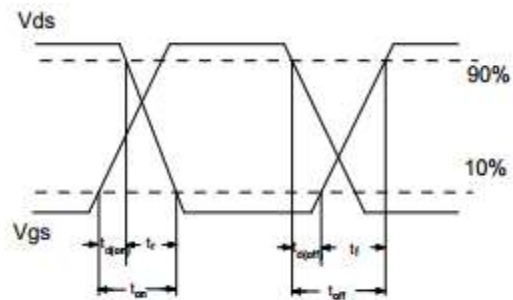
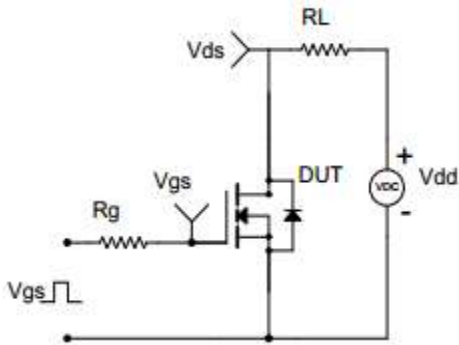


■ Test Circuit & Waveform

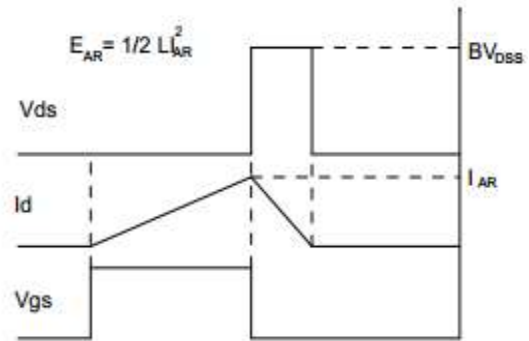
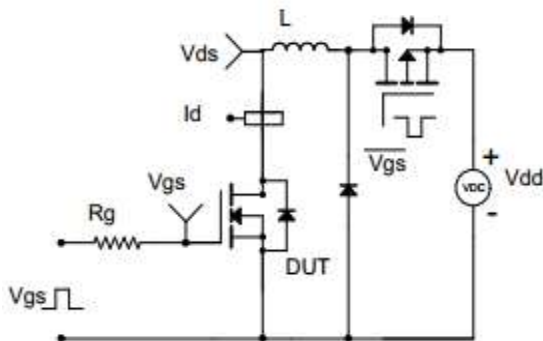
Gate Charge Test Circuit & Waveform



Resistive Switching Test Circuit & Waveform



Unclamped Inductive Switching (UIS) Test Circuit & Waveform





■ DFN5x6 Package Dimensions

Unit: mm

Symbol	Min	Nom	Max	Symbol	Min	Nom	Max
A	0.90		1.10	k	1.15		1.35
A3	0.15		0.30	b	0.20		0.40
D	4.90		5.10	e	1.15		1.35
D1	3.90		4.10	L	0.50		0.65
D2	4.75		5.05	L1	0.43		0.55
E	5.85		6.15	H	0.55		0.68
E1	3.35		3.55	$\theta$	8°		12°
E2	5.55		5.85				

