



MOSFETs Silicon 80V N-Channel MOS

Applications

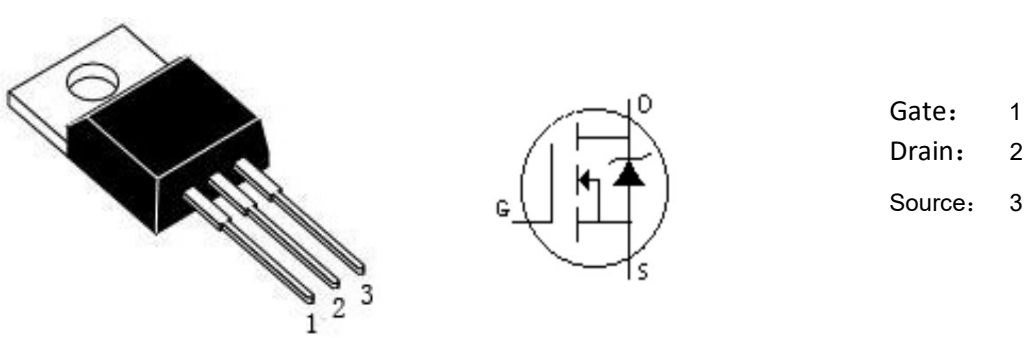
- Synchronus Rectification
- Industrial and Motor Drive
- DC/DC and AC/DC Converters
- Power Tools

Features

- High-Speed Switching
- Low  $R_{DS(ON)}$
- Good stability and uniformity with high EAS
- RoHS and Halogen-Free Compliant
- 100% UIS and RG Tested

Product Summary

$V_{DS}$	80	V
$I_D$	80	A
$R_{DS(ON),TYP@10V}$	10	mΩ
$Q_g$	110	nC



TO-220

Gate: 1  
Drain: 2  
Source: 3

Marking	Package	Packaging	Min. package quantity
MC012R080PH	TO-220	Tube	1000





### ■ Absolute Maximum Ratings (Tc=25°C unless otherwise noted)

Parameter	Symbol	Ratings	Unit
Drain-Source Voltage	$V_{DS}$	80	V
Gate-Source Voltage	$V_{GS}$	±20	V
Continuous Drain Current Tc=25°C (Note 1)	$I_D$	80	A
Continuous Drain Current Tc=100°C (Note 1)		50	A
Drain Current-Pulsed (Note 1)	$I_{DM}$	300	A
Total Dissipation	$P_D$	196	W
Junction Temperature	$T_j$	150	°C
Storage Temperature	$T_{stg}$	-55-150	°C
Single Pulse Avalanche Energy (Note 2)	$E_{AS}$	1300	mJ

Note: Using continuously under heavy loads (e.g. the application of high temperature/current/voltage and the significant change in temperature, etc.) may cause this product to decrease in the reliability significantly even if the operating conditions (i.e. operating temperature/current/voltage, etc.) are within the absolute maximum ratings.

### ■ Thermal Characteristics

Parameter	Symbol	Max	Unit
Maximum Junction-to-Case	$R_{\theta JC}$	0.65	°C/W
Maximum Junction-to-Ambient	$R_{\theta JA}$	60	°C/W

Note 1: Ensure that the channel temperature does not exceed 150°C.

Note 2:  $V_{DD}=50V$ ,  $T_{ch}=25^\circ C$  (initial),  $L=0.5mH$ ,  $R_g=25\Omega$ .

Note: This transistor is sensitive to electrostatic discharge and should be handled with care.



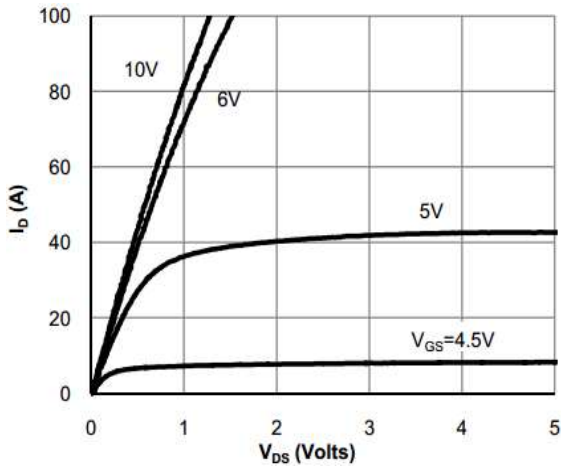
**■ Electrical Characteristics (Tc=25°C unless otherwise noted)**

Parameter	Symbol	Test Condition	Min	Typ	Max	Unit
<b>Static Parameters</b>						
Drain-Source Breakdown Voltage	$BV_{DSS}$	$V_{GS}=0V, I_D=250\mu A$	80	-	-	V
Drain-Source Leakage Current	$I_{DSS}$	$V_{DS}=80V, V_{GS}=0V$	-	-	1	$\mu A$
Gate-Body Leakage Current	$I_{GSS}$	$V_{GS}=\pm 20V, V_{DS}=0V$	-	-	$\pm 100$	nA
Gate Threshold Voltage	$V_{GS(TH)}$	$V_{GS}=V_{DS}, I_D=250\mu A$	2	3	4	V
Drain-Source On Resistance	$R_{DS(ON)}$	$V_{GS}=10V, I_D=20A$	-	10	12	m $\Omega$
		Tj=125°C	-	16	-	
<b>Dynamic Characteristics</b>						
Input Capacitance	$C_{iss}$	$V_{DS}=35V, V_{GS}=0V,$ $f=1.0MHz$	-	2600	-	pF
Output Capacitance	$C_{oss}$		-	580	-	pF
Reverse Transfer Capacitance	$C_{rss}$		-	220	-	pF
Gate Resistance	$R_g$	$V_{DS}=0V, V_{GS}=0V,$ $f=1.0MHz$	-	0.5	-	$\Omega$
<b>Switching Paramters</b>						
Turn-On Delay Time	$t_{d(on)}$	$V_{DS}=40V, I_D=30A,$ $V_{GS}=10V, R_G=25\Omega$	-	40	-	ns
Turn-On Rise Time	$t_r$		-	110	-	ns
Turn-Off Delay Time	$t_{d(off)}$		-	160	-	ns
Turn-Off Rise Time	$t_f$		-	90	-	ns
Total Gate Charge	$Q_g$	$V_{DS}=50V, I_D=20A,$ $V_{GS}=10V$	-	110	-	nC
Gate-Source Charge	$Q_{gs}$		-	18	-	nC
Gate-Drain Charge	$Q_{gd}$		-	50	-	nC
<b>Source-Drain Characteristics</b>						
Diode Forward Voltage	$V_{sd}$	$V_{GS}=0V, I_S=10A$	-	0.78	1.2	V
Reverse Recovery Time	$t_{rr}$	$V_R=50V, I_F=20A,$ $di/dt=100A/\mu s$	-	110	-	ns
Reverse Recovery Charge	$Q_{rr}$		-	0.45	-	$\mu C$

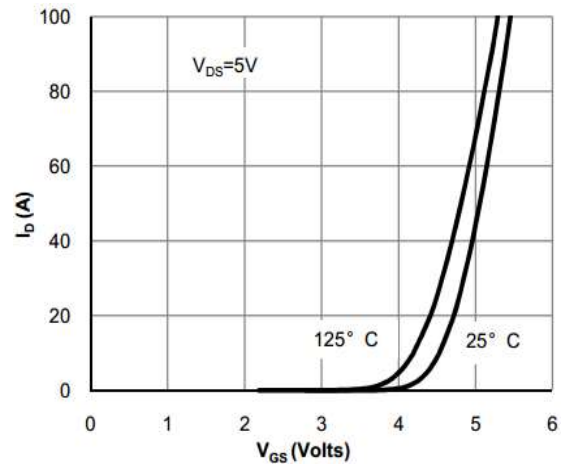




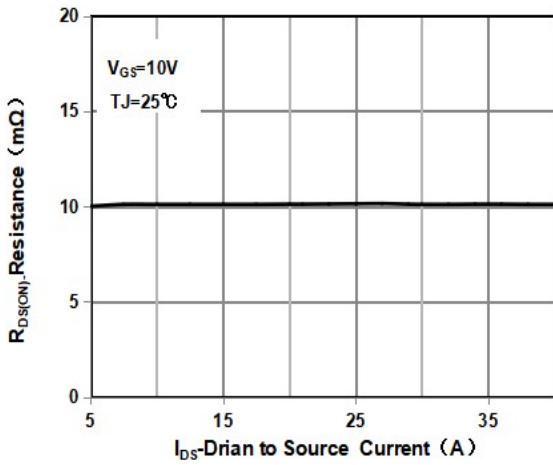
■ Characteristics Curves



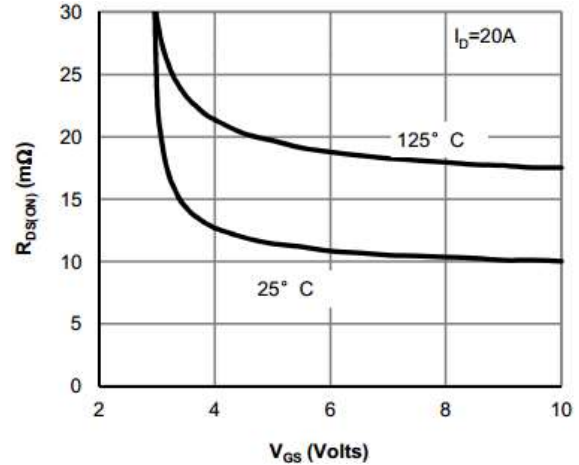
Output Characteristics



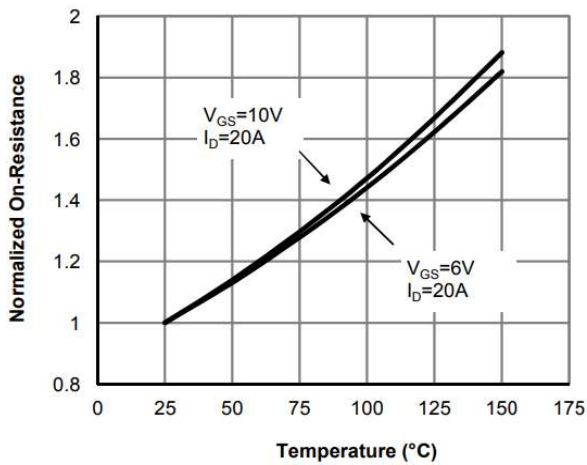
Transfer Characteristics



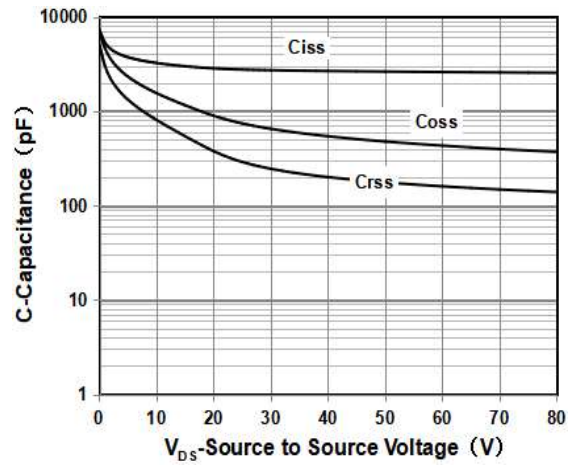
On Resistance Vs Drain Current



On Resistance Vs Gate Source Voltage

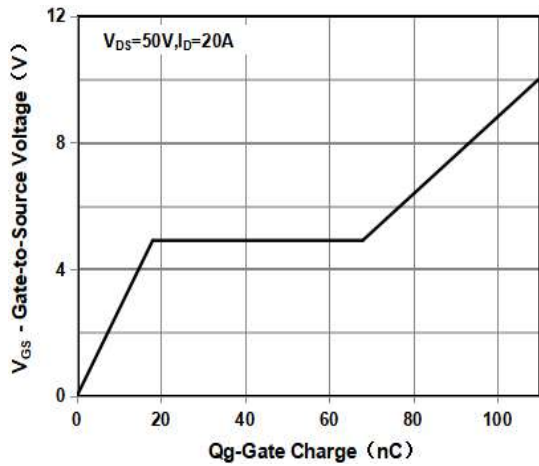


Rdson-Junction Temperature

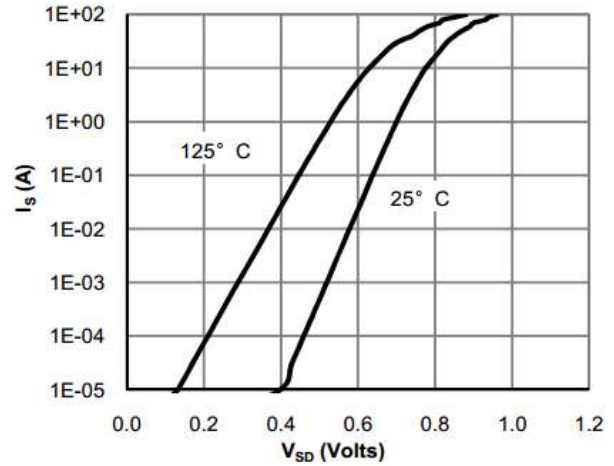


Capacitance

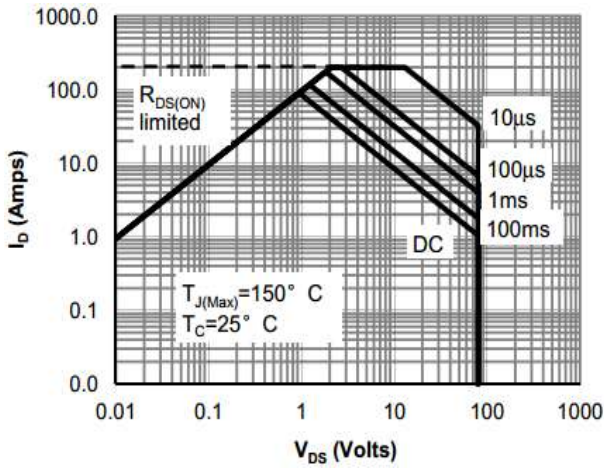




Gate Charge Waveform



Source-Drain Diode Forward Voltage



Maximum Safe Operating Area

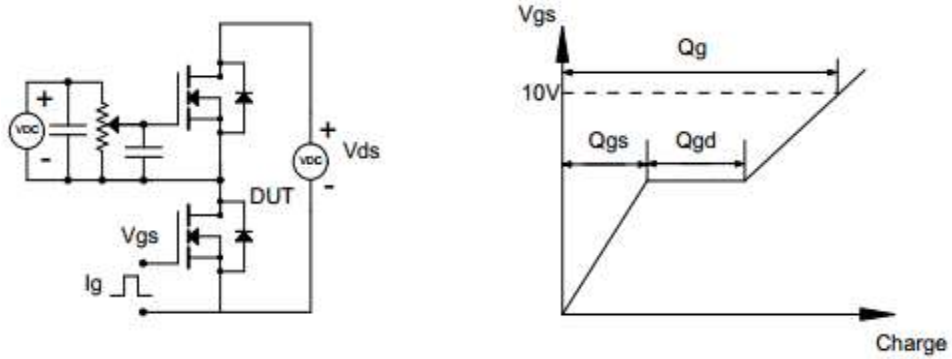
Note : The above characteristics curves are presented for reference only and not guaranteed by production test, unless otherwise noted.



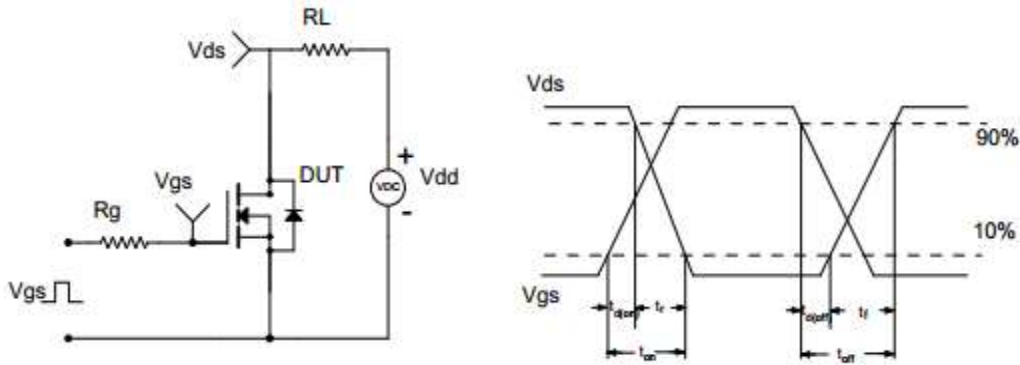


■ Test Circuit & Waveform

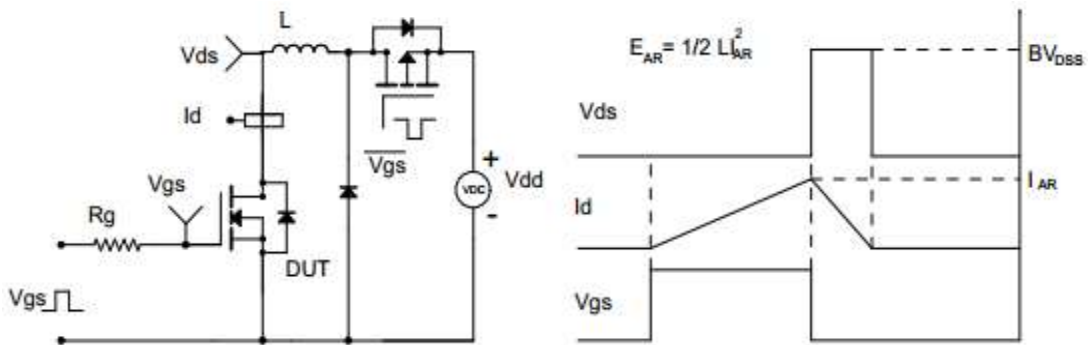
Gate Charge Test Circuit & Waveform



Resistive Switching Test Circuit & Waveform



Unclamped Inductive Switching (UIS) Test Circuit & Waveform





■ TO-220 Package Dimensions

Unit: mm

Symbol	Min	Nom	Max	Symbol	Min	Nom	Max
A	4.00		4.80	e	2.44	2.54	2.64
B	1.20		1.40	F	1.10		1.40
B1	1.00		1.40	L	12.50		14.50
b1	0.75		0.95	L1	3.00	3.50	4.00
c	0.40		0.55	ΦP	3.70	3.80	3.90
D	15.00		16.50	Q	2.50		3.00
D1	5.90		6.90	Q1	2.00		2.90
E	9.90		10.70	Y	8.02	8.12	8.22

